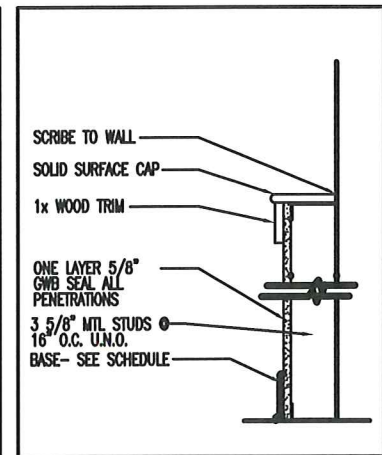




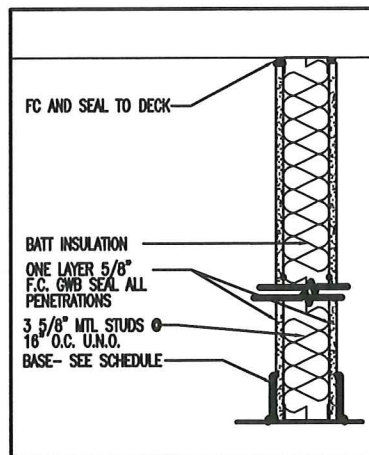
EXISTING WINDOW TO BE REMOVED AND REPLACED TO MATCH EXISTING WITH THERMAL PANE GLAZING.

PROVIDE FLASHING AND SEALANT TO IN ACCORDANCE WITH MANUFACTURERS REQUIREMENTS.



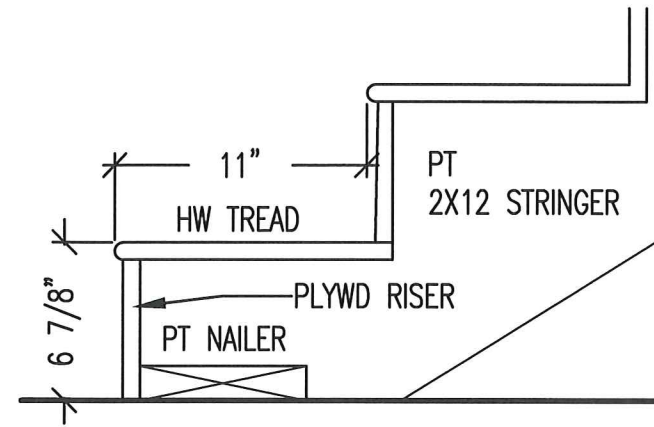
SCRIBE TO WALL
SOLID SURFACE CAP
1x WOOD TRIM
ONE LAYER 5/8" GWB SEAL ALL PENETRATIONS
3 5/8" MTL STUDS @ 16" O.C. U.N.O.
BASE- SEE SCHEDULE

3 5/8" MTL STUD-ONE SIDED



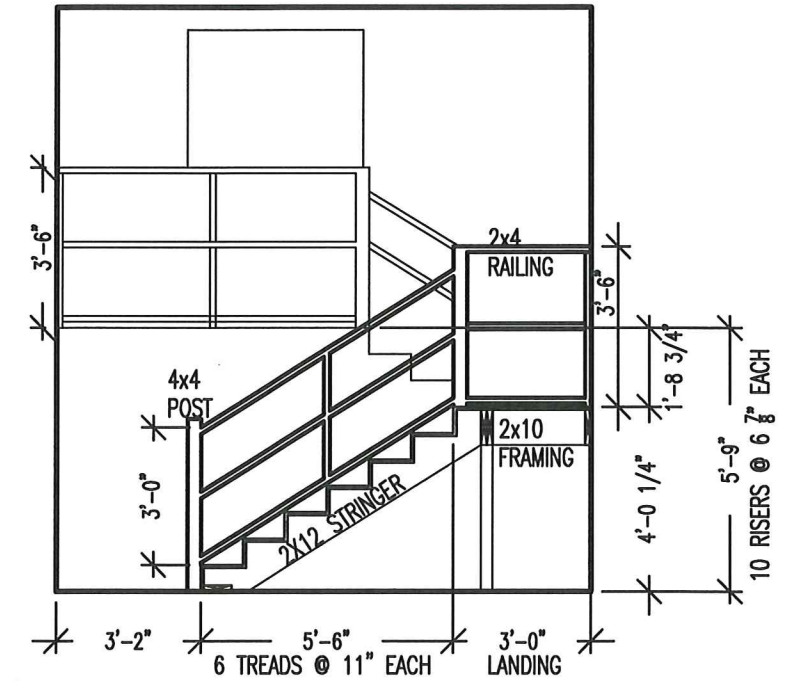
FC AND SEAL TO DECK
BATT INSULATION
ONE LAYER 5/8" F.C. GWB SEAL ALL PENETRATIONS
3 5/8" MTL STUDS @ 16" O.C. U.N.O.
BASE- SEE SCHEDULE

3 5/8" MTL STUD-FULL HGT ACOUSTICAL WALL



Stair Detail

1-1/2" = 1'-0"

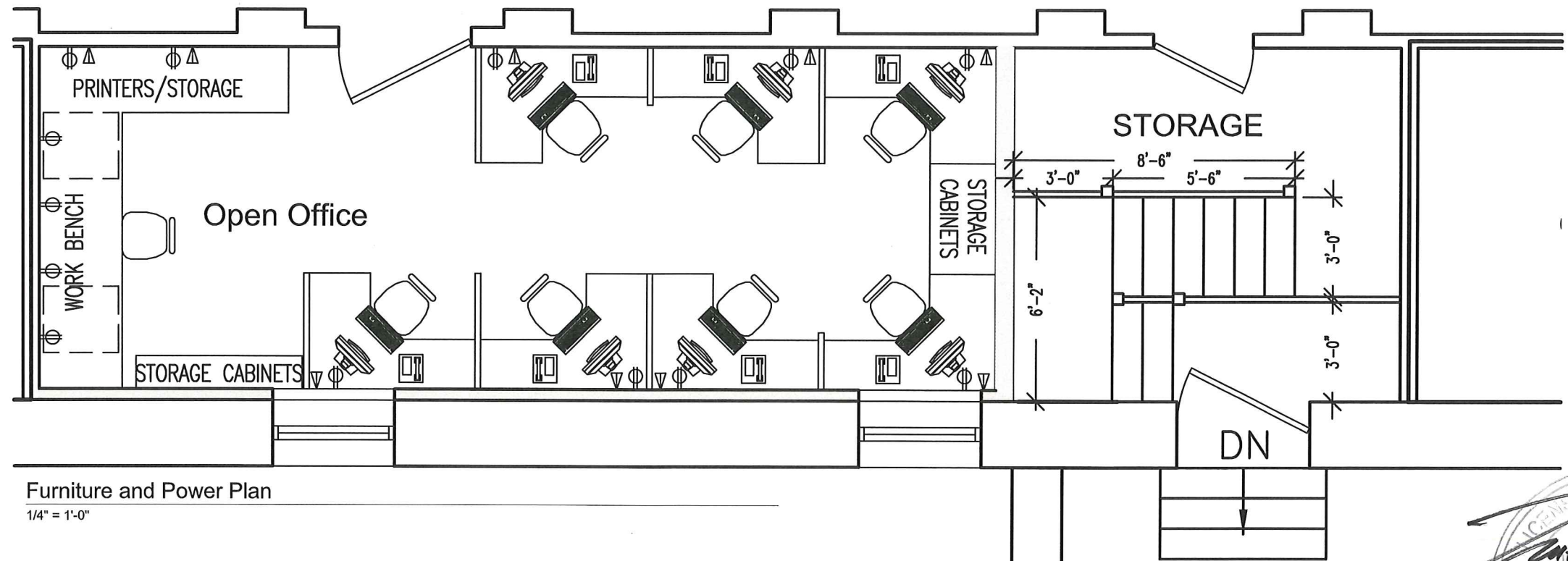


Stair Section

1/4" = 1'-0"

Window Detail

NTS



Furniture and Power Plan

1/4" = 1'-0"

